

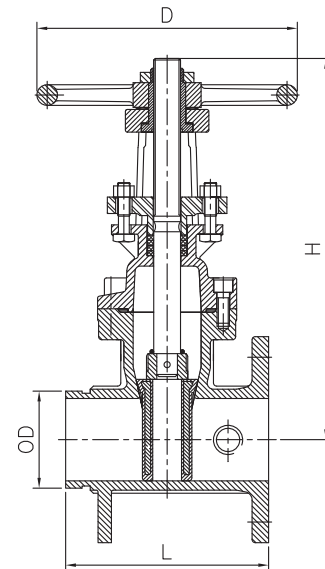
# OS&Y Gate Valve | Flanged x Grooved

## Technical Features

- **Connections:** Flanged End (ANSI B16.1 Class 125) / Grooved End (AWWA C606)
- **Sizes:** 2-1/2", 3", 4", 5", 6", 8", 10", 12"
- **Approvals:** UL, ULC, and FM
- **Maximum Working Pressure:** 300PSI (Max. Test Pressure: 600PSI)
- **Maximum Working Temperature:** 180°F (82°C)
- Complies with AWWA C515
- NPT Plug on Body
- Fusion Bonded Epoxy Coated Interior and Exterior to AWWA C550



Component	Material	Specification
Body	Ductile Iron	A536 65-45-12
Wedge	Ductile Iron, EPDM Encapsulated	
Wedge Nut	Stainless Steel	AISI 304
Stem	Stainless Steel	AISI 420
Bonnet	Ductile Iron	A536 65-45-12
Gasket	Rubber	EPDM
Packing	Graphite	Commercial
Gland	Ductile Iron	A536 65-45-12
Yoke Nut	Bronze	B62 C83600
Handwheel	Ductile Iron	A536 65-45-12
Handwheel Nut	Ductile Iron	A536 65-45-12
NPT Plug	Malleable Iron	Commercial
Gland Bolt	Stainless Steel	AISI 316
Bonnet Bolt	Carbon Steel	A307 B



## Dimensions:

Size	OD		L		H (OPEN)		H (CLOSE)		D		Weight lbs
	in	mm	in	mm	in	mm	in	mm	in	mm	
2-1/2"	2.9	73.0	7.5	190.5	16.3	415.0	13.8	350.0	7.2	184.0	36.5
3"	3.5	88.9	8.0	203.0	18.9	480.0	15.7	400.0	10.0	254.0	47.0
4"	4.5	114.3	9.0	229.0	21.7	550.0	17.7	450.0	10.0	254.0	64.0
5"	5.6	141.3	10.0	254.0	25.8	655.0	20.9	530.0	12.0	305.0	91.0
6"	6.6	168.3	10.5	267.0	29.1	740.0	23.2	590.0	12.0	305.0	103.0
8"	8.6	219.1	11.5	292.0	36.6	930.0	28.7	730.0	14.0	356.0	160.0
10"	10.7	273.0	13.0	330.0	44.5	1130.0	34.6	880.0	17.5	445.0	257.0
12"	12.8	323.9	14.0	356.0	52.0	1320.0	40.2	1020.0	17.5	445.0	356.0