

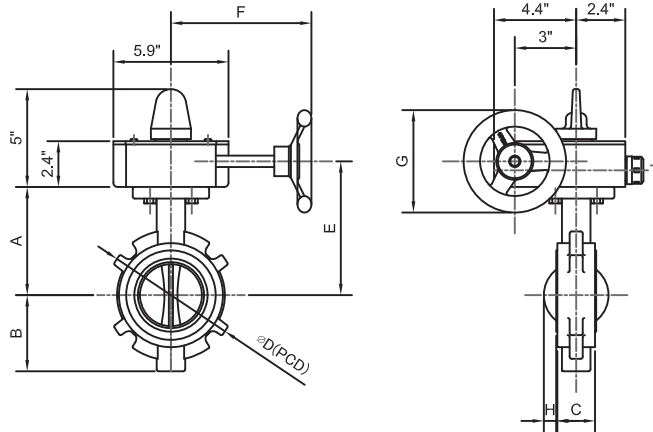
175 PSI Butterfly Valve | Wafer

Technical Features

- **Connections:** Wafer Ends (ANSI Class 125)
- **Sizes:** 2-1/2", 3", 4", 6", 8"
- **Approvals:** UL, ULC, FM, and California State Fire Marshal
- **Maximum Working Pressure:** 175PSI (Max. Test Pressure: 350PSI)
- **Maximum Working Temperature:** 250°F (120°C)
- **Application:** Indoor and Outdoor Use
- Factory-Installed Supervisory Tamper Switch Assembly
- Also Available with Supervised Closed Switches.



Component	Material	Specification
Body	Ductile Iron	ASTM A536 Nylon-11 Coated
Disc	Ductile Iron	ASTM A536 EPDM Encapsulated
Indicator	Ductile Iron	ASTM A536
Housing	Ductile Iron	ASTM A536
Handwheel	Ductile Iron	ASTM A536
Stem	Stainless Steel	AISI 420
Worm Shaft	Stainless Steel	AISI 410
Shear Pin	Steel	ASTM A510
Gear Segment	Brass	ASTM B584
Housing Gasket	EPDM	EPDM Grade E
O-Ring (All)	EPDM	EPDM Grade E



Dimensions:

Size	A		B		C		D		E		F		G		H		Weight lbs
	in	mm	in	mm	in	mm	in	mm	in	mm	in	mm	in	mm	in	mm	
2-1/2"	5.4	136.0	3.4	87.0	1.8	46.0	5.9	149.4	6.5	166.0	5.3	135.0	5.0	128.0	0.3	8.2	20.0
3"	5.6	143.0	3.7	93.0	1.8	46.0	6.6	168.2	6.8	173.0	5.3	135.0	5.0	128.0	0.6	14.5	21.0
4"	6.1	156.0	4.3	109.0	2.0	52.0	7.9	200.2	7.3	186.0	5.3	135.0	5.0	128.0	0.9	22.7	23.0
6"	7.4	188.0	5.7	144.0	2.2	56.0	10.6	269.8	8.6	218.0	7.6	193.0	8.7	220.0	1.8	45.4	32.0
8"	8.7	222.0	6.5	166.0	2.3	58.0	13.0	330.2	9.9	252.0	7.6	193.0	8.7	220.0	2.7	69.1	42.0